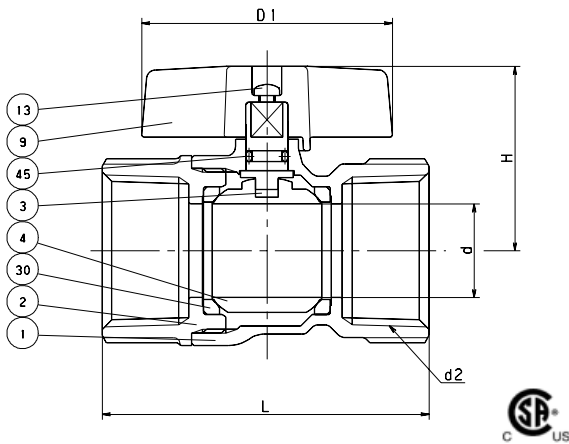


FORGED BRASS GAS BALL VALVE

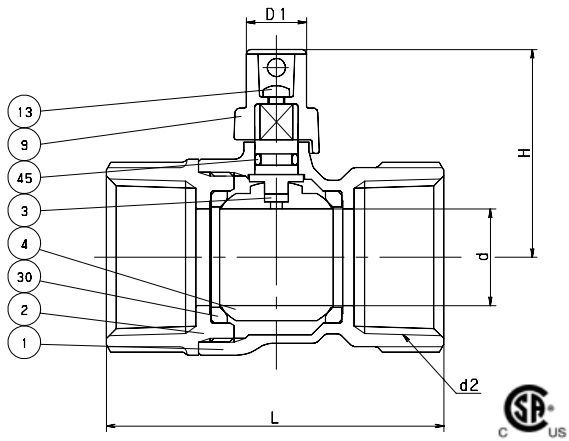
WING HANDLE

Two Piece Body • Regular Port
CSA (US/C)

CODE # 60 FIPS x FIPS



CODE # 60SQ FIPS x FIPS



STANDARDS

END TO END	KITZ
END CONNECTION	ANSI B1.20.1
WALL THICKNESS	KITZ
DESIGN	MSS SP-110

PRESSURE/TEMPERATURE

2G 5G 1/2 PSI
175 PSI - NON-SHOCK COLD WATER, OIL OR GAS

MATERIAL LIST

NO.	NAME OF PART	SPECIFICATION
1	BODY	FORGED BRASS (B283, C37700)
2	BODY CAP	FORGED BRASS (B283, C37700)
3	STEM	BRASS ROD (B124, C37700)
4	BALL	(1) FORGED BRASS (B283, C37700)
9	HANDLE	ALUMINUM DIE-CAST (B85)
13	HANDLE BOLT	STAINLESS STEEL (A276 TYPE 304)
30	BALL SEATS	PTFE
45	O-RING	NBR

NOTES: (1) CR. PLATING

DIMENSIONS - WEIGHTS - QUANTITIES

d2 SIZE	d	H	D1	L	APPROX. NET WT.	CARTON QTY
3/8	.39	1.19	1.77	1.81	26	96
1/2	.49	1.23	1.77	2.20	26	72
3/4	.57	1.45	2.17	2.39	32	60
1	.77	1.59	2.17	2.82	39	48

CERTIFICATIONS:

CSA (US/C): AGA 3-88 - 2/5G
CGA 9.1 M97/ANSI 21.15-1997 - .5G
CGA 9.2 M-88 - .5G
CGA 3.16-M88 - 125G