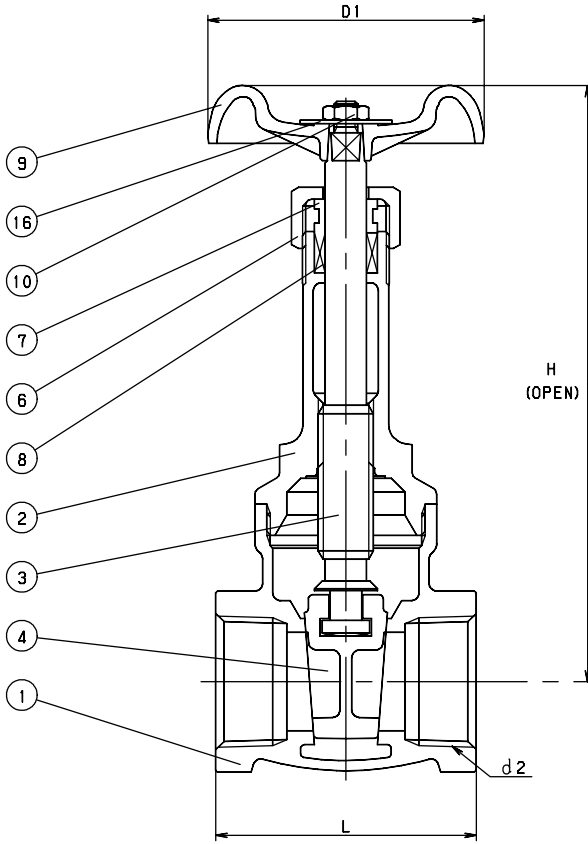


# GATE CLASS 150 BRONZE

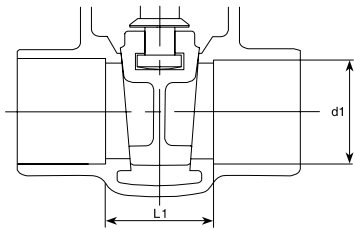
Screw-In-Bonnet • Rising Stem  
Solid Wedge Disc

BRONZE GATE

## CODE # 25 (AK150L) THREADED



## CODE # 45 (C150L) SOLDER\*



### STANDARDS

|                   |                   |
|-------------------|-------------------|
| END TO END        | KITZ              |
| THREADED ENDS     | ANSI B1.20.1      |
| SOLDER JOINT ENDS | ANSI B16.18       |
| DESIGN            | MSS SP-80, TYPE 2 |
| MILITARY          | MSS SP-80, TYPE 2 |

### PRESSURE/TEMPERATURE

150 PSI - SATURATED STEAM TO 366°F  
- FLUID TO 406°F  
300 PSI NON-SHOCK COLD WATER, OIL OR GAS

\*SEE PRESSURE/TEMPERATURE LIMITATIONS FOR SOLDER JOINT VALVES - PAGE BIV-50.

### MATERIAL LIST

| NO. | NAME OF PART         | SPECIFICATION               |
|-----|----------------------|-----------------------------|
| 1   | BODY                 | CAST BRONZE (ASTM B62)      |
| 2   | BONNET               | CAST BRONZE (ASTM B62)      |
| 3   | STEM                 | CAST BRONZE (ASTM B62)      |
| 4   | DISC                 | CAST BRONZE (ASTM B62)      |
| 6   | PACKING NUT          | FORGED BRASS (B283, C37700) |
| 7   | GLAND                | BRASS ROD (B16)             |
| 8   | GLAND PACKING        | ARAMID FIBERS W/ GRAPHITE   |
| 9   | HAND WHEEL (1/2 - 1) | ZINC DIE-CAST (B86)         |
|     | (1 1/4 - 3)          | ALUMINUM DIE-CAST (B85)     |
| 10  | WHEEL NUT            | BRASS ROD (B16)             |
| 16  | NAME PLATE           | ALUMINUM                    |

### DIMENSIONS - WEIGHTS - QUANTITIES

| d2<br>SIZE | H     | D1   | L    | L1   | d1    |       | APPROX. NET WT. | CARTON QTY |
|------------|-------|------|------|------|-------|-------|-----------------|------------|
|            |       |      |      |      | Max.  | Min.  |                 |            |
| 1/2        | 5.39  | 2.17 | 2.01 | .93  | .631  | .627  | 1.00            | 48         |
| 3/4        | 6.18  | 2.76 | 2.20 | 1.02 | .881  | .877  | 1.50            | 36         |
| 1          | 7.09  | 2.76 | 2.60 | 1.17 | 1.132 | 1.128 | 1.72            | 24         |
| 1 1/4      | 8.50  | 3.15 | 2.68 | 1.29 | 1.382 | 1.378 | 3.88            | 16         |
| 1 1/2      | 10.12 | 3.54 | 2.91 | 1.21 | 1.633 | 1.628 | 4.33            | 12         |
| 2          | 11.65 | 3.94 | 3.31 | 1.61 | 2.133 | 2.128 | 6.38            | 8          |
| 2 1/2      | 15.16 | 6.10 | 4.72 | -    | -     | -     | 14.75           | 4          |
| 3          | 17.01 | 6.10 | 5.51 | -    | -     | -     | 20.33           | 3          |