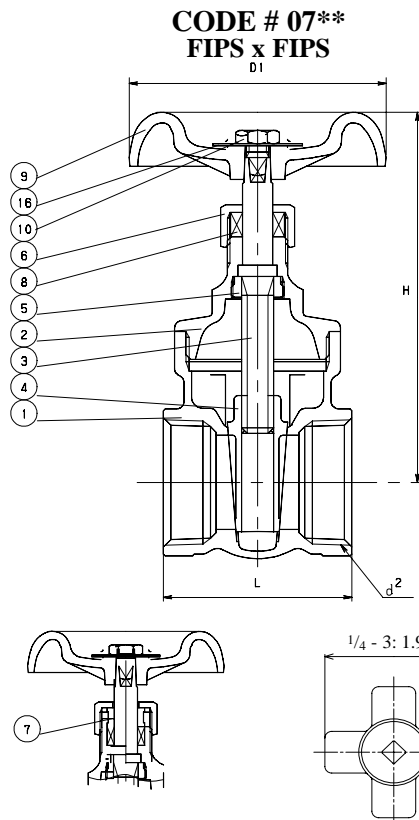


GATE

CLASS 125 BRASS/BRONZE

Screw-In Bonnet • Non-Rising Stem
Solid Wedge Disc



**Cross Handle optionally available.
(See Price Schedule for Model No.
and Size)

STANDARDS

END TO END	KITZ
END CONNECTION	ANSI B1.20.1
WALL THICKNESS	KITZ

PRESSURE/TEMPERATURE

125 PSI - SATURATED STEAM TO 353°F - FLUID TO 406°F 200 PSI NON-SHOCK COLD WATER, OIL OR GAS
--

*SEE VALVE INSTALLATION INSTRUCTIONS/PRESSURE
TEMPERATURE LIMITATIONS - Page P-29 & 30.

MATERIAL LIST

NO.	NAME OF PART	SPECIFICATION
1	BODY (3/8" - 2") (2 1/2" - 3")	FORGED BRASS (B283, C37700) CAST BRONZE (B584, C84400)
2	BONNET	FORGED BRASS (B283, C37700)
3	STEM	SPECIAL BRASS (KITZ "K" METAL)
4	DISC	FORGED BRASS (B283, C37700)
5	LOCK NUT	BRASS ROD (B16)
6	PACKING NUT	FORGED BRASS (B283, C37700)
7	GLAND	BRASS ROD (B16)
8	GLAND PACKING	ARAMID FIBERS W/ GRAPHITE
9	HAND WHEEL (1/4" - 1 1/4") (1 1/2" - 3)	ZINC DIE-CAST (B86) ALUMINUM DIE-CAST (B85)
	CROSS HANDLE (OPTION)	FORGED BRASS (B283, C37700)
10	WHEEL NUT	CARBON STEEL (A307 Gr B)
16	NAME PLATE	ALUMINUM

DIMENSIONS - WEIGHTS - QUANTITIES

d2 SIZE	H	D1	L	L1	d1		APPROX. NET WT.	CARTON QTY
					Max.	Min.		
1/4	2.76	1.97	1.38	-	-	-	22	120
3/8	2.87	1.97	1.50	.76	.506	.502	24	60
1/2	2.95	1.97	1.65	.77	.631	.627	34	60
3/4	3.39	2.17	1.85	1.65	.881	.877	26	32
1	3.82	2.36	1.97	.94	1.132	1.128	43	36
1 1/4	4.61	2.76	2.36	1.09	1.382	1.378	62	36
1 1/2	4.96	3.15	2.48	1.21	1.633	1.628	63	30
2	6.06	3.54	2.83	1.34	2.133	2.128	63	18
2 1/2	7.36	3.94	4.53	1.59	2.633	2.628	54	13
3	8.07	4.53	5.00	1.68	3.133	3.128	55	9