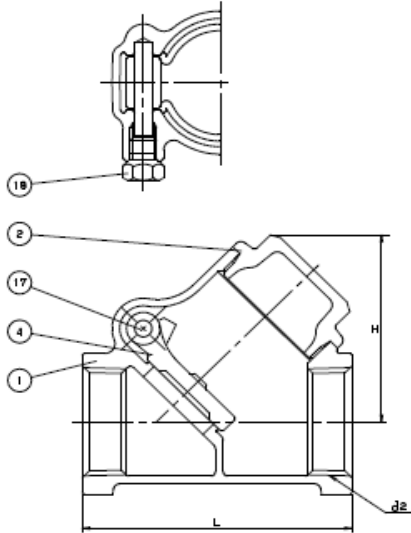


LEAD-FREE COPPER ALLOY CHECK

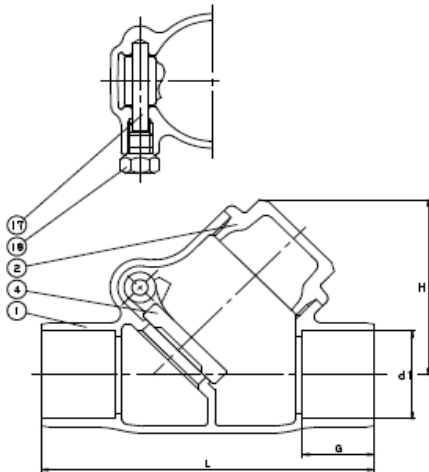
CLASS 125

Y-Pattern Swing Type • Screwed Cap • Integral Seat
 *NSF/ANSI 61-G & NSF/ANSI 372

CODE #822 (AKYRN) THREADED (½" - 2")



CODE #823 (CYRN) SOLDER (½" - 2")



STANDARDS

END TO END	KITZ STD.
THREADED ENDS	ASME B1.20.1
SOLDER ENDS	ASME B16.18
DESIGN †	MSS SP-80, Type 4

PRESSURE - TEMPERATURE

200 PSI - NON-SHOCK COLD WORKING PESSURE (CWP)
 180 PSI @ 212°F

MATERIAL LIST

NO.	NAME OF PART	SPECIFICATION
1	BODY	LF BRONZE (C89530)
2	CAP	LF FORGED BRASS (C46750)
4	DISC	LF CAST BRONZE (C89530)
17	HINGE PIN	COPPER (C11000)
18	PLUG	LF BRASS ROD (C46750)

† Lead Free materials are not listed under MSS SP-80, Table 2.

DIMENSIONS & WEIGHTS

SIZE	d2	H	L*	L1**	d1		Wt. Lb/Kg	Crtn Qty
					Max	Min		
in	½	1.57	2.20	1.64	0.631	0.627	0.33	96
mm		39.9	55.9	41.7	16.0	15.9	0.15	
in	¾	1.93	2.76	1.89	0.881	0.877	0.90	60
mm		49.0	70.1	48.0	22.4	22.3	0.41	
in	1	2.28	3.15	2.31	1.132	1.128	1.00	48
mm		57.9	80.0	58.7	28.8	28.7	0.45	
in	1¼	2.80	3.74	2.82	1.382	1.378	2.04	24
mm		71.1	95.0	71.6		35.0	0.93	
in	1½	3.15	4.33	3.21	1.633	1.628	2.61	18
mm		80.0	110.0	81.5	41.5	41.4	1.18	
in	2	3.74	5.04	4.01	2.133	2.128	5.92	12
mm		95.0	128.0	101.9	54.2	54.1	2.68	

*Threaded End to End only **L1= Solder L - 2G

This product complies with NSF/ANSI Standard 61, NSF 372 and conforms to lead content requirements for "Lead Free" plumbing as defined by CA, VT, MD, and LA state laws and the U.S. Safe Drinking Water Act that went into effect January 4, 2014.



Certified to
 NSF/ANSI 61 & 372