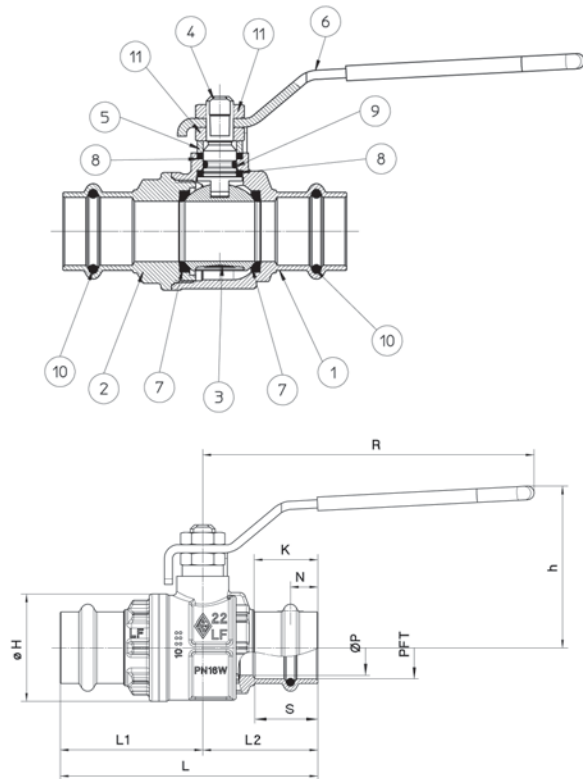


K-PRESS, LEAD FREE** BRASS BALL VALVE

PRESS FIT

Two Piece Body • Full Port • Chrome Plated Ball • Blowout Proof Stem • PTFE Seats • Adjustable Stem Packing
NSF*

CODE # 801XL



VALVE FEATURES

Full port ball valve with PRESS connections from 1/2" - 2", steel handle, yellow grip.

- 600 WOG† body rating with 200 WOG press fit rating.
- Temperature to 250°F.
- Blow out proof stem, chrome plated brass ball.
- PTFE seats, seals and thrust washer.
- Recommended for service in the full open or full closed position.
- Adjustable stem packing.
- 100% tested in the open and closed position at 80 PSI.

† Valves shall not be used at pressures exceeding the press fit rating

MATERIAL LIST

NO.	NAME OF PART	SPECIFICATION
1	BODY	BRASS CW 511L
2	END CONNECTION	BRASS CW 511L
3	BALL	BRASS CW 510L
4	STEM	BRASS CW 510L
5	PACKING GLAND	BRASS CW 614N
6	HANDLE	STEEL
7	BALL SEAT	PTFE
8	STEM SEAL/THRUST WASHER	PTFE
9	O-RING	NBR
10	O-RING	EPDM
11	NUT	STEEL CL 04

* UL certified to ANSI NSF 61-G

** Lead free refers to the wetted surface of pipe, fittings and fixtures in potable water systems that have a weighted average lead content = 0.25%.

(Source: California Health & Safety Code (116875). Vermont Act 193)



Acc. to
NSF 61
Up to 2"

DIMENSIONS • WEIGHTS • QUANTITIES

	PFT	ØP	Q	K	N	ØH	L	L1	L2	h	R	Lbs.
in.	1/2	0.59	0.71	0.67	0.31	1.30	3.13	1.71	1.42	1.89	3.86	0.49
mm.		15.0	18.0	17.0	7.9	33.0	79.5	43.4	36.1	48.0	98.0	
in.	3/4	0.79	0.91	0.83	0.39	1.54	3.66	2.05	1.61	2.28	4.80	0.82
mm.		20.1	23.1	21.1	9.9	39.1	93.0	52.1	40.9	57.9	121.9	
in.	1	0.98	0.94	0.83	0.39	1.93	4.13	2.32	1.81	2.44	4.80	1.25
mm.		24.9	23.9	21.1	9.9	49.0	1.4	58.9	46.0	62.0	121.9	
in.	1 1/4	1.26	1.02	0.83	0.39	2.32	4.41	2.44	1.97	3.07	6.02	1.98
mm.		32.0	25.9	21.1	9.9	58.9	112.0	62.0	50.0	78.0	152.9	
in.	1 1/2	1.57	1.42	1.02	0.49	2.87	5.63	2.91	2.72	3.35	6.02	3.4
mm.		39.9	36.1	25.9	12.4	72.9	143.0	73.9	69.1	85.1	152.9	
in.	2	1.95	1.57	1.20	0.59	3.39	6.52	3.41	3.11	3.80	6.38	4.5
mm.		49.5	39.9	30.5	15.0	86.1	165.6	86.6	79.0	96.5	162.1	