

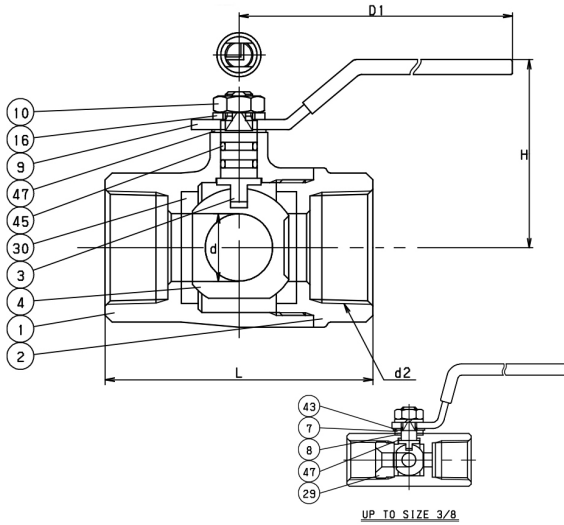
LEAD-FREE COPPER ALLOY BALL

3-WAY L-Port

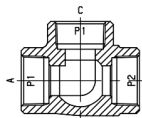
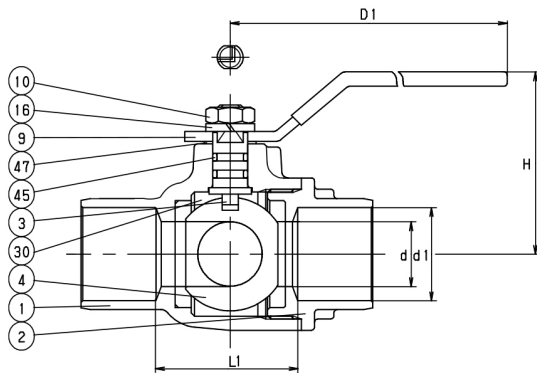
Two-Piece Body • Maintenance Free Double O-Ring Stem Seals • Blowout Proof Stem • PTFE Seats • Plated Ball

*NSF/ANSI 61-G & NSF/ANSI 372

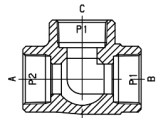
CODE #854 (AKTNN) THREADED (½" -2")



CODE #855† (CTNN) SOLDER (½" -2")



FORM-1 (3)



FORM-1 (4)

STANDARDS

END TO END	KITZ STD.
THREADED ENDS	ASME B1.20.1
SOLDER ENDS	ASME B16.18
WALL THICKNESS	KITZ STD.

PRESSURE - TEMPERATURE

400 PSI NON-SHOCK COLD WORKING PRESSURE (CWP)†
275 PSI @ 212°F NON-SHOCK

MATERIAL LIST

NO.	NAME OF PART	SPECIFICATION
1	BODY	LF FORGED BRASS (C46750)
2	BODY CAP	LF FORGED BRASS (C46750)
3	STEM	LF BRASS ROD (C46750)
4	BALL	(1) LF FORGED BRASS (C46750)
9	HANDLE	(2) STAINLESS STEEL
10	HANDLE NUT	CARBON STEEL
16	WASHER	CARBON STEEL
30	BALL SEAT	PTFE
45	O-RING	FKM
47	THRUST WASHER	POM

NOTES:

- (1) SnNi Plated
- (2) ELECTROPLATED COATING OF ZINC AND PLASTIC COVERING
- (3) FLOW IS FACILITATED BETWEEN "A" & "C"; AFTER EXTENDED USE, PORT "B" MAY LEAK SLIGHTLY TO PORT "A" & "C" IF PRESSURE IN P2 IS HIGHER THAN P1.
- (4) FLOW IS FACILITATED BETWEEN "C" & "B"; AFTER EXTENDED USE, PORT "A" MAY LEAK SLIGHTLY TO PORT "B" & "C", IF PRESSURE IN P2 IS HIGHER THAN P1

† P-T LIMITS FOR SOLDER JOINT VALVES PER ASME B16.18

DIMENSIONS & WEIGHTS

SIZE d2	d	H	D1	L	L1	d1		Wt. Lb/Kg	Crtn Qty	
						Max	Min			
in mm	½	0.39	1.77	3.15	2.64	1.20	0.631	0.627	0.98	60
		10.0	45.0	80.0	67.1	30.5	16.0	15.9	0.5	
in mm	¾	0.59	1.89	3.15	2.68	1.41	0.881	0.877	1.31	48
		15.0	48.0	80.0	68.1	35.8	22.4	22.3	0.6	
in mm	1	0.79	2.17	4.33	3.11	1.64	1.132	1.128	2	24
		20.0	55.1	110.0	79.0	41.7	28.8	28.7	0.9	
in mm	1¼	0.98	2.38	4.33	3.5	1.96	1.382	1.378	2.8	24
		24.9	60.5	110.0	88.9	49.8	35.1	35.0	1.3	
in mm	1½	1.26	2.56	4.33	3.94	2.31	1.633	1.628	3.9	16
		32.0	65.0	110.0	100.1	58.7	41.5	41.4	1.8	
in mm	2	1.57	2.95	5.51	4.53	2.67	2.133	2.128	6	12
		39.9	74.9	140.0	115.1	67.8	54.2	54.1	2.7	



Certified to
NSF/ANSI 61-G

*Product complies with NSF/ANSI Standard 61 Annex G, NSF/ANSI Standard 372 and conforms with lead content requirements for "lead free" plumbing as defined by California, Vermont, Maryland, and Louisiana state laws and the U.S. Safe Drinking Water Act that went into effect January 2014.